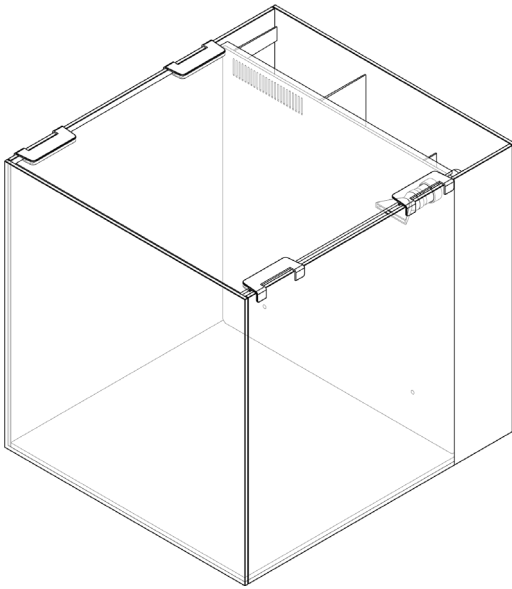




Nano RL

All-In-One Aquariums



NRL-10
NRL-15
NRL-20

User Guide

Table of Contents

www.jbjaquariums.com
support@jbjlighting.com
(877) 374 9981

TRANSWORLD AQUATIC ENTERPRISES, INC.

3730 W Century Blvd, Ste. #3
Inglewood CA 90303

4	SAFETY INFORMATION
4	General Guides
8	NANO-RL
10	NRL-10
12	NRL-15
14	NRL-20
16	GETTING STARTED
16	Handling
16	Choosing A Location
17	Filter Media Placement
17	Filling the Aquarium
18	MAINTENANCE
18	Water Changes
18	Replacing Filter Media
19	Pump Replacement
20	POLICIES
20	Limited Warranty
21	Warranty Registration

Safety Information



WARNING: To guard against injury, basic safety precautions should be observed, including the following: **READ ALL SAFETY INSTRUCTIONS BEFORE USE.**



CAUTION: To avoid possible electric shock, special care should be taken since water is employed in the use of aquarium equipment. For each of the following situations, do not attempt to repair yourself: return the appliance to an authorized service facility for service or discard the appliance.

General Guides:



If the appliance falls into water, do not reach for it! First unplug it and then retrieve it. If the electrical components of the appliance get wet, unplug the appliance immediately.



Carefully examine the appliance after installation. It should not be plugged in if there is water on parts not intended to be wet.

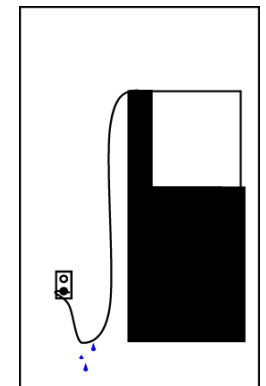


Do not operate any appliance if it has a damaged cord or plug, or if it is malfunctioning or if it is dropped or damaged in any manner.



To avoid the possibility of the appliance plug or electric outlet getting wet, position aquarium stand and tank to one side of a wall mounted outlet to prevent water from dripping onto the outlet or plug. A "drip loop", shown in the Figure at the right should be arranged by the user for each cord connecting an aquarium appliance to an outlet. The "drip loop" is the part of the cord below the level of the outlet or the connector if an extension cord is used, to prevent water travel along the cord and coming in contact with the outlet.

If the plug or the outlet do get wet, do not unplug the cord. Disconnect the fuse to the circuit breaker that supplies power to the appliance. Then unplug and examine for the presence of water in the outlet.





Close supervision is necessary when any appliance is used by or near children.



To avoid injury, do not contact moving parts or hot parts such as heaters, reflectors, lamp bulbs, and etc.



Always unplug an appliance from the outlet when not in use, before putting on or taking off parts, and before cleaning. Never yank the cord to pull plug from the outlet. Grasp the plug and pull to dis-connect



Do not use an appliance for other than intended use. The use of attachments not recommended or sold by the appliance manufacturer may cause an unsafe condition.



Do not install or store the appliance where it will be exposed to the weather or to temperatures below freezing.



Make sure an appliance mounted on a tank is securely installed before operating it.



Read and observe all the important notices on the appliance.



This Appliance has a polarized plug (one blade is wider than the other). As a safety feature, this plug will fit in a polarized outlet only one way. If the plug does not fit fully in the outlet, reverse the plug. If it still does not fit, contact a qualified electrician. Never use with an extension cord unless plug can be fully inserted. Do not attempt to defeat this safety feature.



This appliance is intended **FOR HOUSEHOLD INDOOR USE ONLY.**



Do not use ammonia based chemicals to clean the aquarium.



Unplug electrical components before performing any maintenance.

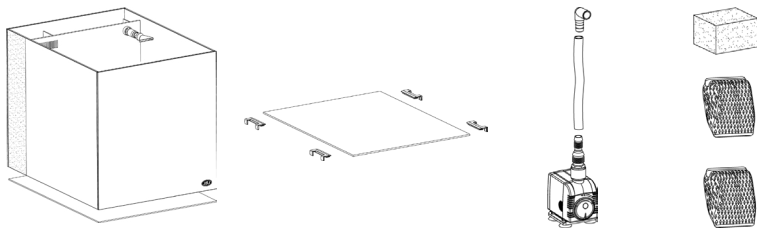
Nano RL

Carefully unpack your new Nano RL All-In-One Aquarium.
Inspect all its components and confirm all parts are included
before using.

Report any damages or missing components to:

TOLL FREE: (877) 374 9981

EMAIL: warranty@jbjlighting.com



- NANO RL
- LEVELING MAT
- GLASS LID
- MOUNTING BRACKETS
- RETURN PUMP ASSEMBLY
- COARSE SPONGE FILTER
- ACTIVATED CARBON
- CERAMIC RINGS

Features

- High Clarity Glass
- Clear Silicone Seams
- All-In-One Filtration with Built-In Overflow
- Designated Heater and Protein Skimmer Column
- Return Pump with Directional Flared Nozzle

NRL-10

All-In-One Aquarium

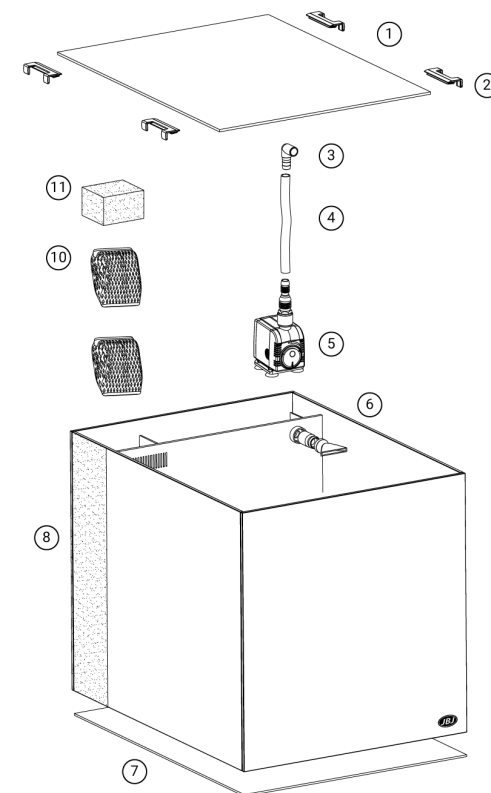
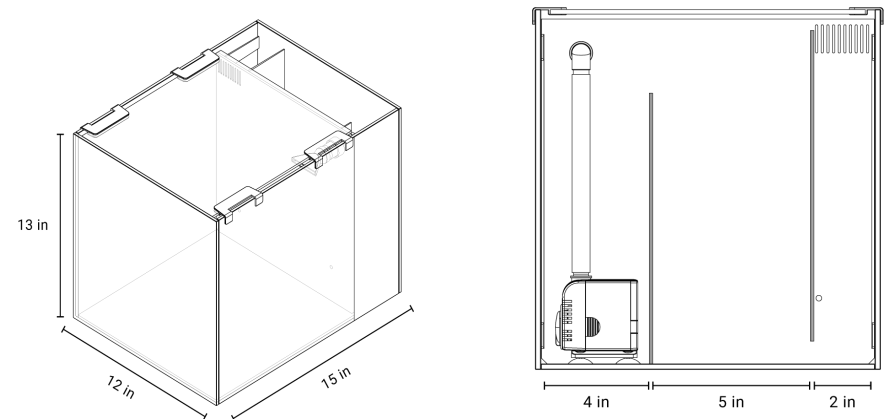
MODEL:	NRL-10
CAPACITY:	10 Gallons
EXT. SIZE:	15" x 12" x 13" in
GLASS THICKNESS:	5 mm
PUMP POWER:	12 W
FLOW RATE:	198 GPH

Cabinet Stand

MODEL:	CNT-10
COMPATIBILITY:	NRL-10
EXT. SIZE:	15" x 12" x 36" in
COLOR:	Black or White

Parts Legend

1	Glass Lid	6	Return Flared Nozzle
2	Lid Mounting Brackets	7	Leveling Mat
3	Return Elbow Connector	8	NRL-10 Glass Aquarium
4	Return Tube	9	Ceramic Rings
5	Return Pump	10	Activated Carbon
		11	Coarse Sponge



NRL-15

All-In-One Aquarium

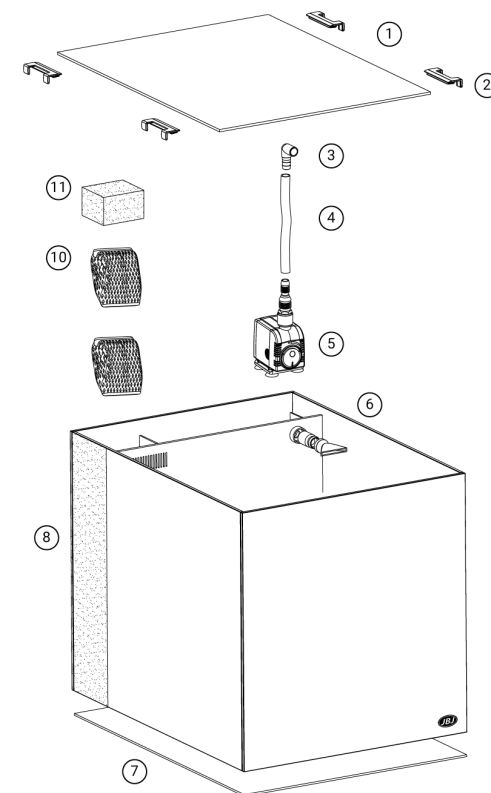
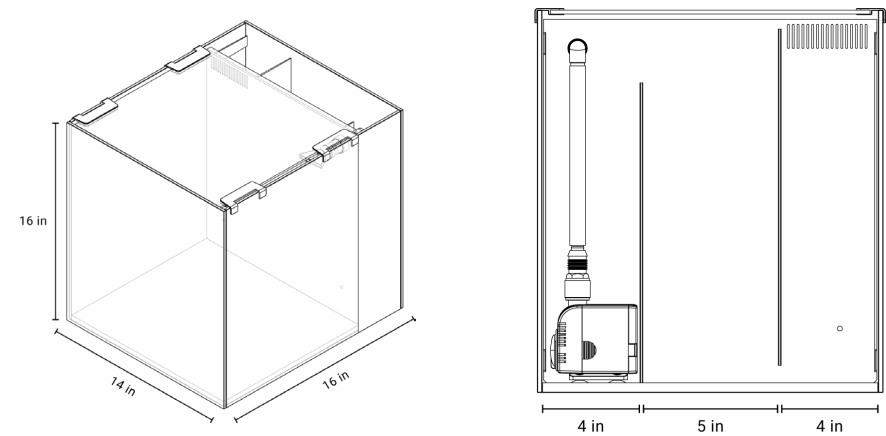
MODEL:	NRL-15
CAPACITY:	15 Gallons
EXT. SIZE:	16" x 14" x 16" in
GLASS THICKNESS:	5 mm
PUMP POWER:	16 W
FLOW RATE:	264 GPH

Cabinet Stand

MODEL:	CNT-15
COMPATIBILITY:	NRL-15
EXT. SIZE:	16" x 14" x 36" in
COLOR:	Black or White

Parts Legend

1	Glass Lid	6	Return Flared Nozzle
2	Lid Mounting Brackets	7	Leveling Mat
3	Return Elbow Connector	8	NRL-15 Glass Aquarium
4	Return Tube	9	Ceramic Rings
5	Return Pump	10	Activated Carbon
		11	Coarse Sponge



NRL-20

All-In-One Aquarium

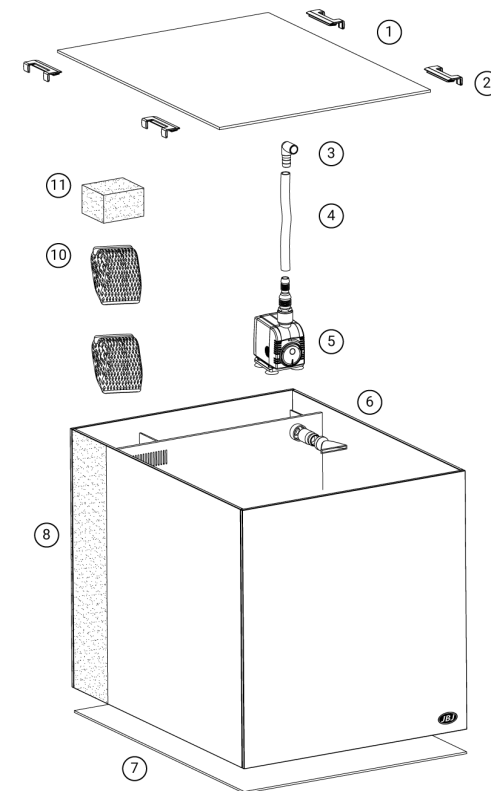
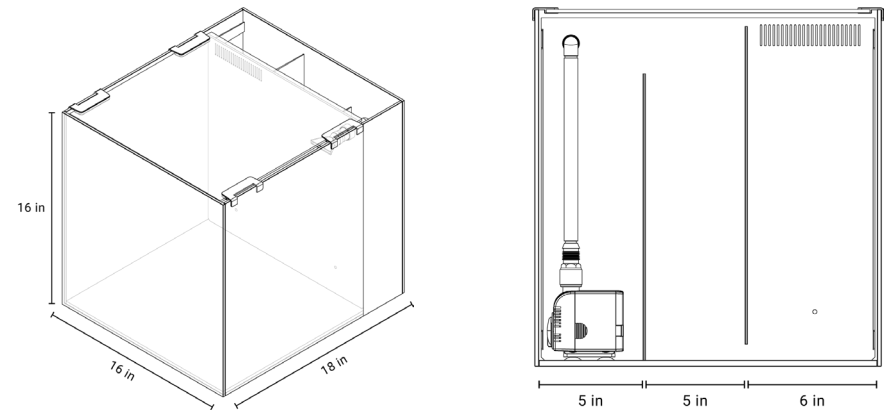
MODEL:	NRL-20
CAPACITY:	20 Gallons
EXT. SIZE:	18" x 16" x 16" in
GLASS THICKNESS:	5 mm
PUMP POWER:	16 W
FLOW RATE:	264 GPH

Cabinet Stand

MODEL:	CNT-20
COMPATIBILITY:	NRL-20
EXT. SIZE:	18" x 16" x 36" in
COLOR:	Black or White

Parts Legend

1	Glass Lid	6	Return Flared Nozzle
2	Lid Mounting Brackets	7	Leveling Mat
3	Return Elbow Connector	8	NRL-20 Glass Aquarium
4	Return Tube	9	Ceramic Rings
5	Return Pump	10	Activated Carbon
		11	Coarse Sponge



Getting Started

Handling

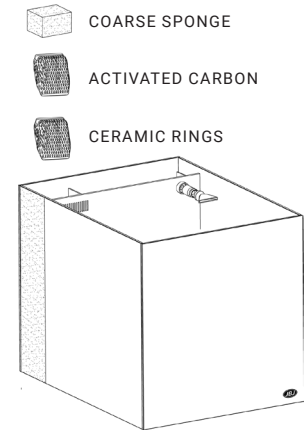
- Do not lift or move aquarium when filled with water
- Drain water to at 50% before lifting or moving aquarium
- Do not lift aquarium from side walls or light fixture
- Move or Lift Aquarium from the underneath

Choosing A Location

- Find a leveled surface that can support the weight of the tank, water, and livestock. An average aquarium can weigh 10 Lb per gallon once filled with water, rock, gravel, and other accessories.
- Place Aquarium on Leveling Mat provided
- Do not place in direct sunlight to prevent excessive algae growth and higher water temperatures.

Filter Media Placement

- Rinse Filter Media for 30 seconds or until water runs clear prior to placement.
- Place filter media provided in the first column on the left side where the overflow is located.
- It is recommended to place the filter media as shown in the picture.



Filling the Aquarium

- Always dechlorinate tap water before adding into the aquarium.
- Always fill with room temperature water.
- Fill the main body of the Nano Rimless Aquarium until water flows through overflow on the filter wall. Once the back filter/ pump chamber is full, plug in pump power cord(s) into an approved electrical outlet with a fuse or circuit breaker.
- Once pump is on, water will flow from the back filter chambers through the directional flow nozzle into the main body of the Rimless Flat Panel. Adjust accordingly to desired flow position.

Maintenance

Regular maintenance is the key to a successful thriving aquarium. Maintaining an aquarium can be very easy with a regular cleaning schedule. Pump must be unplugged before performing any tank maintenance.

Water Changes

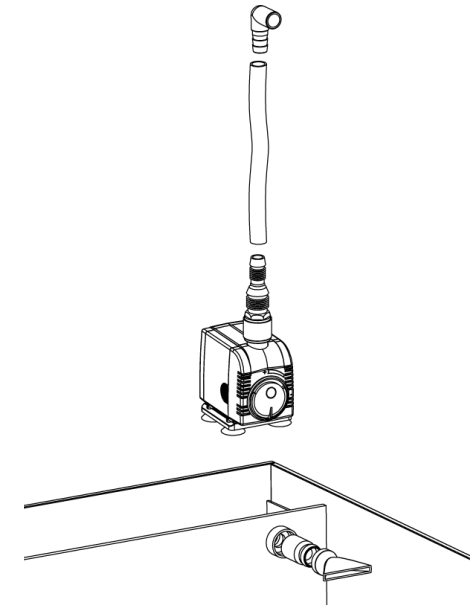
- Water changes should be carried out on monthly to bi-monthly schedule depending on how much bio-load is kept.
- 25% water changes with gravel vacuuming is essential to keep dissolved organic carbons to a minimum.

Replacing Filter Media

- Mechanical Filter Sponge should be changed on a monthly basis to remove trapped debris and free floating particulate matter.
- Activated Carbon absorbs dissolved pollutants and removes the yellow discoloration of water and associated odors. Replace Activated Carbon on a monthly basis
- Ceramic Rings should not be removed as it houses the beneficial bacteria for removal of ammonia and nitrite. This media does not need to be changed.

Return Pump Replacement

- Unplug pump
- Pull Return Elbow Connector out from return chamber
- Pull up return pump



Limited Warranty

1 YEAR LIMITED WARRANTY

Nano RL is warrantied to the original purchaser against defective material and workmanship for 1 Year from the date of original purchase. This warranty is valid only under the following conditions: additions, modifications, or changes made to the product by the purchaser and not by the manufacturer shall void this warranty. Damages brought on by abuse, misapplication, or mishandling also voids this warranty.

This warranty is limited to the repair or replacement of the product at the discretion of the manufacturer. This warranty does not cover personal injury, property loss, including livestock or damage (direct, incidental, or consequential) arising out of use of this product. This warranty gives you specific rights and you may also have other rights, which may vary from state to state.

This warranty card must be filled out completely and returned within (14) days from the date of purchase. Failure to do so will void this warranty. A proof of purchase from an authorized dealer must be provided when making a warranty claim.

Upon discovery of a defect, please call us to obtain an RMA #.
Tel: (310) 672-4099
Tel: (310) 672-4021

All claims should be sent prepaid to the following address:

TRANSWORLD AQUATICS ENTERPRISES, INC.
3730 W Century Blvd, Ste. 3
Inglewood, CA 90308

Please Fill Out Completely and Return within 14 days from date of purchase. (Please Print)

NAME: _____

ADDRESS: _____

CITY: _____

STATE: _____ **ZIP:** _____

PHONE: _____

EMAIL: _____

Yes I would like to receive emails on JBJ News,
New Products, Sales, Rebates!

DATE OF PURCHASE: _____

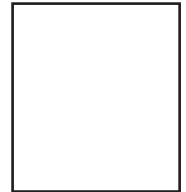
MODEL: _____

PURCHASED FROM: _____

Please mail warranty registration and Proof of Purchase to:

TRANSWORLD AQUATICS ENTERPRISES, INC.
ATTN: Warranty Dept.
3730 W Century Blvd, Ste. 3
Inglewood, CA 90308

You can also register your product online at www.jbjaquariums.com/register



TRANSWORLD AQUATIC ENTERPRISES, INC.

3730 W Century Blvd, Ste. #3
Inglewood CA 90303

www.jbjaquariums.com
support@jbjlighting.com
(877) 374 9981